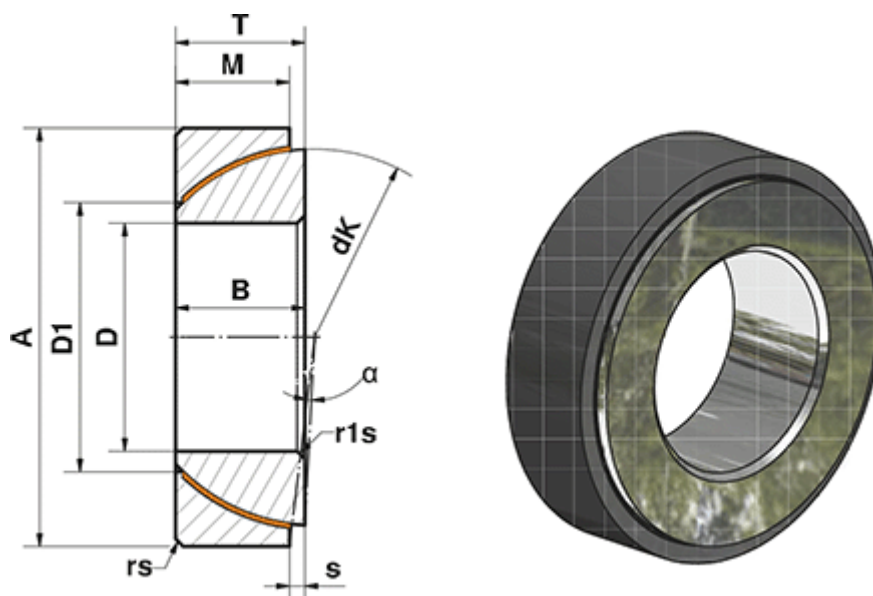


Article number: 03449140

Description: Fluro Heavy Duty Spherical Plain Bearing GE 140 SWE
Hole Ø140

Note: 140

Measures



A	= 120	rs, r1s min	= 2.5
a (degrees)	= 1	S	= 19
B	= 45	Static load C0 (kN)	= 3286
D	= 140	T	= 45
D1	= 161.5	Weight (g)	= 6330
dK	= 198		
Dynamic load C (kN)	= 1972		
M	= 43		